

Pimpri Chinchwad Municipal Corporation, Pimpri-18.

Providing and fixing Precast tapering R. C. C. M-40 grade Kerb type-VIII

Rate from SSR-2017-18

Date - 3-7-18

Providing and Fixing Precast tapering R.C.C. M-40 grade Kerbs Type-VIII (as per detailed drawing attached), in R-40 IRC specification (75X300) (Round Kerb-150mm Outer Radius) embedded 150 mm below Ground neatly with fixing in Position Cement Mortar 1:2 etc complete, including redoing the surface as specified and directed by Engineer-In-Charge.including transportation, Loading, unloading and including all other taxes and excluding GST.

Description	No.	L	B	D	Qty.	Rate	Unit	Amt.	Remark		
For 100 No											
A] For RCC M-40 Without Scada for Footing											
i	area of 90° 75mm dia circle		0.25(3.14x 0.075x 0.075)	0.0044							
ii	area of 90° 150mm dia circle		0.25(3.14x 0.15 x 0.15)	0.0177							
Quantity for One No											
Area = (ii) - (i) = 0.00177-0.0044											
	100		0.0132	0.30	0.3974						
					Total A	0.397	5535.500	Cum	2199.84	25.19, BDF 3/298	
								2199.84			
B] Steel Reinforcement											
	8mm	400	0.1964		78.54		Rmt.	78.54			
							Kg / Rmt.	0.396			
							Total (i)	Kg.	31.10		
	8mm Vertical Rings	201	0.59		118.59		Rmt.	118.59			
							Kg / Rmt.	0.396			
							Total (ii)	Kg.	46.96		
							Gross Total (i+ii)	Kg	78.06		
					Total B		48.624	Rs.	3795.79	26.33, BDF 17/306	
C] Labour Charges for fixing in position											
100 Nos will be fixed in a day by 5 skilled & 5 unskilled labours											
	Mason IInd class	5	Days			494.00	per day	2470.00	PCMC Rate List		
	Mazdoor unskilled (Heavy male)	5	Days			448.00	per day	2240.00	PCMC Rate List		
					Total C		Rs.	4710.00			
D] Transportation, Loading & Unloading											
Considering Transportation by Truck 10 MT Capacity (50 Nos will be transported in one trip)											
	truck transport rent trip (2 trip)		2		2	631.480	Per/Trip	1262.96	SSR C-Statement		
					Total D	For 100 No.	Total	1262.96			
								11968.60			
						Total Rate for 100 No	A+B+C+D+E+F+G	11968.60			
								Therefore Rate per No	Total Rs.	119.69	Per No

Rate is Proposed for Kerb Type-VIII (75X300) (Round Kerb-150mm Outer Radius) in RCC M-40 without SCADA Rs. 119.69 Per No

Rate In Words :- Rs. One Hundred Nineteen and Sixty Nine Paise Only



[Signature]
Junior Engineer
PCMC

[Signature]
Deputy Engineer
PCMC

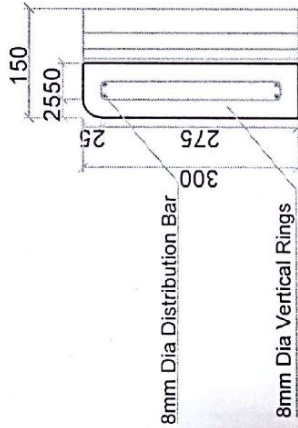
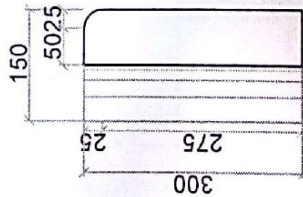
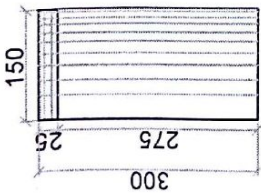
[Signature]
Executive Engineer
PCMC

Rate is Approved for Kerb Type-VIII (75X300) (Round Kerb-150mm Outer Radius) in RCC M-40 without SCADA Rs. 119.69 Per No

Rate In Words :- Rs. One Hundred Nineteen and Sixty Nine Paise Only

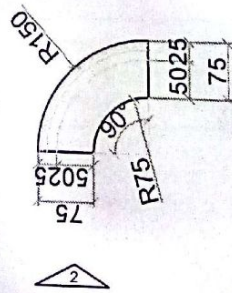
[Handwritten initials]
DE

[Signature]
Joint City Engineer
PCMC

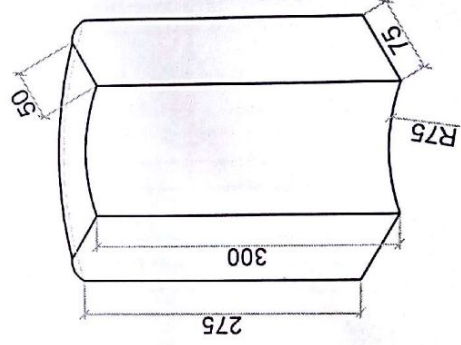


Plan

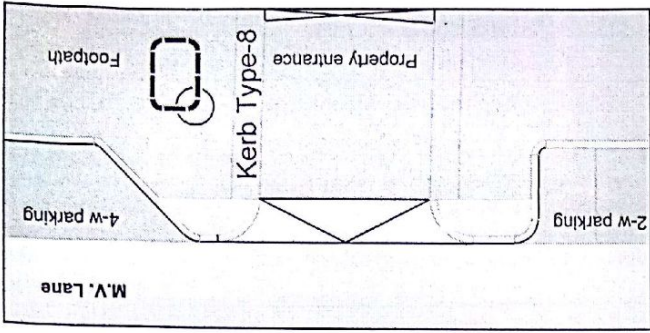
Plan



Plan



Note :
This kerb is used for the soft areas at corners surrounding the trees or shrubs. It separates the soft area and the hard paving.



Handwritten signature

Handwritten signature
Deputy Engineer
B. R. T. S.
P. C. M. C. Pimpri - 18.

Handwritten signature
Executive Engineer
B. R. T. S.
P. C. M. C. Pimpri - 18.



P C M C Street Development Akurdi - Pimple Nilakh Pilot Pimpri Chinchwad Municipal Corporation		S1 - Pimple Nilakh, S2, S3, S4, and S5 - Akurdi		C o n s u l t i n g		T e a m		Date : 2018	
Rev. No.	Date	Revised By	Description	PAVTECH CONSULTANTS	ARCHITECTURE, INTERIOR & URBAN DESIGN CONSULTANTS	15, Pimpri Chinchwad, Near Chinchwad Market, PUNE - 411007. Ph: +91 20 2648 0031 Email: pavtechindia@gmail.com	Round Kerb Type-VIII	Job No. D72	200
				PAVTECH CONSULTANTS	ARCHITECTURE, INTERIOR & URBAN DESIGN CONSULTANTS	15, Pimpri Chinchwad, Near Chinchwad Market, PUNE - 411007. Ph: +91 20 2648 0031 Email: pavtechindia@gmail.com	Detail for Soft Area	200	1
								202	1